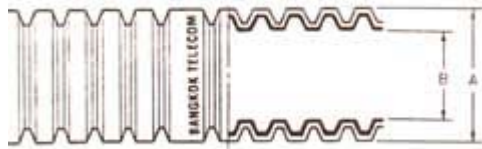


PFLEX - CD and Accessories

Low - cost PFLEX - CD developed for in - concrete installation.



PFLEX - CD

PFLEX - CD, also is a flexible plastic pipe in conformity with Japanese Industrial Standard (JIS) C8411 and 8412 (for 25 ° C type) and Japan's legal requirement for electrical appliances and materials. It is available in five size, 14 mm, 16mm, 22mm, 28 mm and 36 mm in diameter.

Construction and dimensions

PFLEX - CD is a corrugated hard polyethylene pipe of a single wall structure. It is a flexible CD pipe with corrugations designed for in-concrete installation. It has the same distinctive features of PFLEX-CD-FR in flexibility, ease of cable pulling, and corrosion resistance.

Table of Dimensions

ITEM No.	Nominal Dai. (mm)	Outside Dia A (mm)	Inside Dia B (mm)	Wall Thickness (mm)	Lenght per coil (M)	Weight per coil (Kg / coil)	Stand OD and height of coil (mm)
PFLEX-CD/CD-L/CD-FR 14	14	19.00	13.70	0.85	50	4.00	570 x 180
PFLEX-CD/CD-L/CD-FR 16	16	21.00	15.70	0.95	50	4.35	600 x 180
PFLEX-CD/CD-L/CD-FR 22	22	27.50	21.00	0.90	50	6.40	680 x 180
PFLEX-CD/CD-L/CD-FR 28	28	34.00	27.00	1.00	30	5.70	680 x 180
PFLEX-CD/CD-L/CD-FR 36	36	42.00	34.00	1.00	30	6.60	660 x 255

Accessories of PFLEX



1. CONNECTOR
CONNECTORS ARE USED TO
JOINT PFLEX-CD CONDUITS
TO BOXES.



6. JOINT NUT
THEY ARE COMBINED WITH
END COVERS OR
FALSEWORK BUSHING FOR
PIPING INTO PARTITION
WALLS.



2. COUPLING
COUPLINGS ARE USED TO
CONNECT CONDUITS TO
EACH OTHER.



7. SUPPORT



3. SADDLE



8. END COVER
THIS FITTING IS PROVIDED
WITH A VARIABLE ANGLE
BEND CONNECTOR AND ITS
CONNECTION DIRECTION
CAN BE CHANGED.



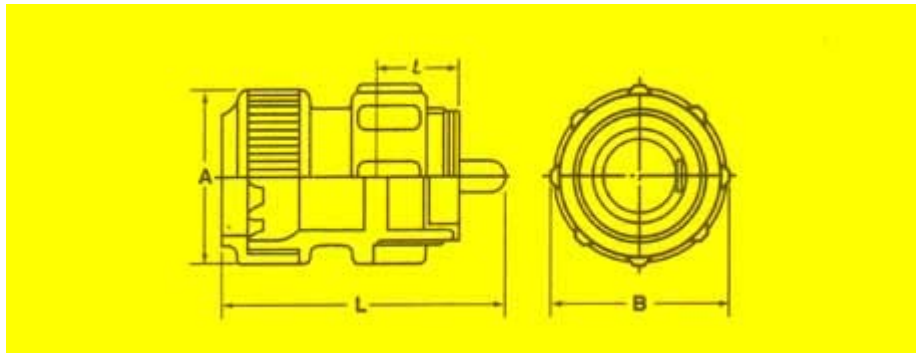
4. FEED COUPLING





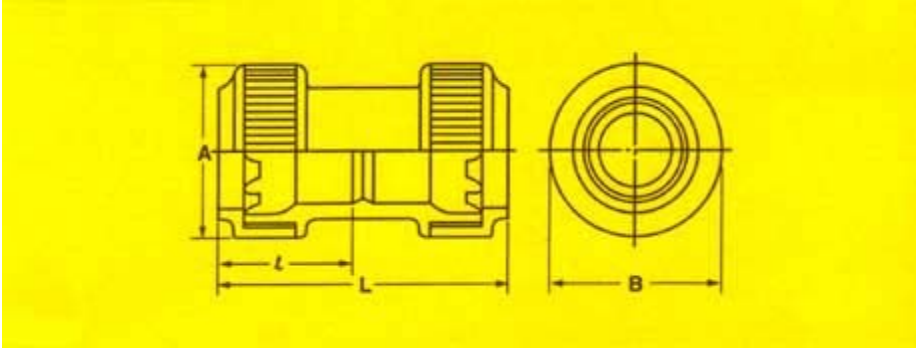
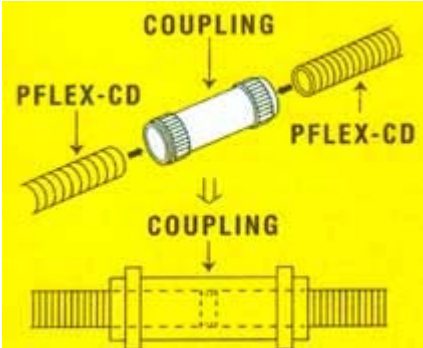
9. PACKING





5. SQUARE BOX



Connector	ITEM No.	APPLICATION PIPE	DIMENSIONS (mm)			
			A	B	I	L
	DCN-14	PLEX-CD/CD-L/CD-FR 14	31	30	11.5	39.5
	DCN-16	PLEX-CD/CD-L/CD-FR 16	33	30	11.5	41.5
	DCN-22	PLEX-CD/CD-L/CD-FR 22	41	35	14.5	52.0
	DCN-28	PLEX-CD/CD-L/CD-FR 28	51	44	15.0	63.0
	DCNB-14	PLEX-CD/CD-L/CD-FR 14	30	30	11.5	48.5
	DCNB-16	PLEX-CD/CD-L/CD-FR 16	33	30	11.5	53.5
	DCNB-22	PLEX-CD/CD-L/CD-FR 22	39	34	14.5	61.0
	DCNB-28	PLEX-CD/CD-L/CD-FR 28	50	44	15.0	71.5
	DCNB-36	PLEX-CD/CD-L/CD-FR 36	60	55	15.0	83.0



Connector	ITEM No.	APPLICATION PIPE	DIMENSIONS (mm)			
			A	B	I	L
	DCN-14	PLEX-CD/CD-L/CD-FR 14	31	31	22.8	51
	DCN-16	PLEX-CD/CD-L/CD-FR 16	33	33	25.2	55
	DCN-22	PLEX-CD/CD-L/CD-FR 22	41	41	33.0	72
	DCN-28	PLEX-CD/CD-L/CD-FR 28	51	51	40.8	88
	DCN-14	PLEX-CD/CD-L/CD-FR 14	30	30	25.0	70
	DCN-16	PLEX-CD/CD-L/CD-FR 16	33	33	28.7	80
	DCN-22	PLEX-CD/CD-L/CD-FR 22	39	39	35.0	90
	DCN-28	PLEX-CD/CD-L/CD-FR 28	50	50	41.3	102
	DCN-36	PLEX-CD/CD-L/CD-FR 36	60	60	53.0	126